

# Entry Series INSTALLATION GUIDE

## INTRODUCTION

The Entry Series (**EVOI-5-x/x**) is a 5-output device with one all-passive port for Voice Modems (or eMTAs) and four ports with gain for video or high speed data services. The all-passive Voice Modem Port (-3.5 dB) maintains signal integrity to and from the voice modem/eMTA in the event of a power outage. If digital voice services are not being implemented, the Voice Modem port can be used for video or data services.

Inside the Entry Series box you will find the equipment listed below:

1. EVOI-5-x/x Entry Series unit
2. EVO-PSI5400 Power Supply
3. 1/4" Triple-combo mounting screws

**Optional Equipment** (not included):

- EVOI-SP-2 (Splitter)
- EVOI-PI (Power Inserter)
- EVO-PSI5400PI (Power Supply w/built-in power inserter)

**Required Tools:**

- Philips screwdriver, flat-head screwdriver or 1/4" hex-head nut driver for mounting the unit.
- Open-end torque wrench appropriate for connector type being used.

## Powering

The provided EVO-PSI5400 or the optional EVO-PSI5400PI power supply should be used to power the EVOI-5-x/x. These power supplies are designed for a 120VAC input. Powering the device with another manufacturer's power supply may work, but is not guaranteed. The power supply must be rated for an output of 15VDC and minimum current of 250 mA.

The maximum recommended length of RG6 bi-shield coaxial cable between the power supply and the EVOI-5-U/P power port is 225 feet.

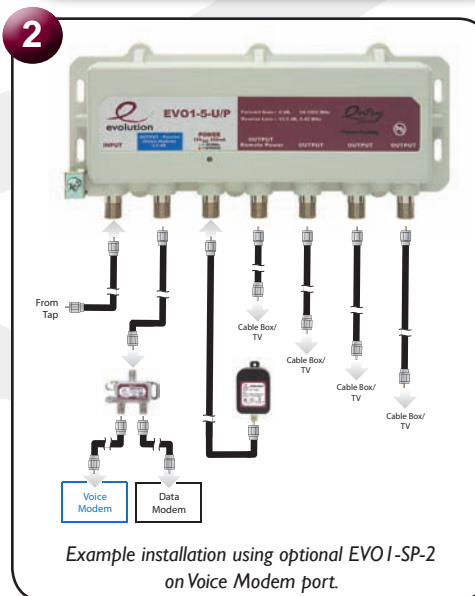
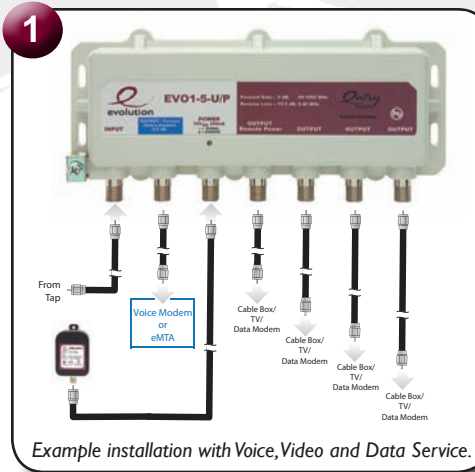
## LED Indicator

- [●] Green = The unit is functioning properly.
- [●] Red = Troubleshooting is required.
- [○] Not Illuminated = There is no power to the unit. Proceed to Troubleshooting.

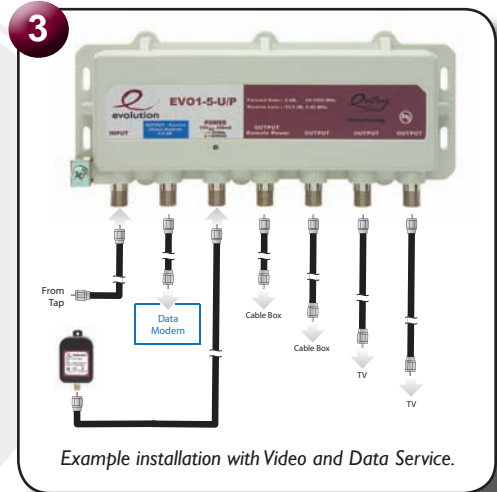
## INSTALLATION EXAMPLES

- All unused ports should be terminated into 75 ohms.
- Apply power to the EVOI-5-x/x only after all RF port connections have been made.

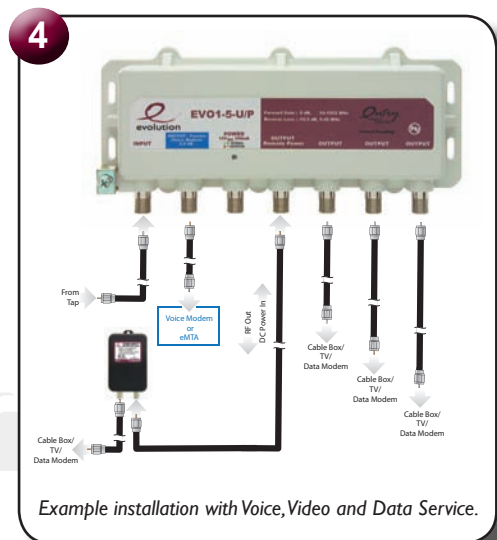
### Standard Powering with EVO-PSI5400



### Standard Powering with EVO-PSI5400



### Powering with optional EVO-PSI5400PI Power Supply with built-in power inserter

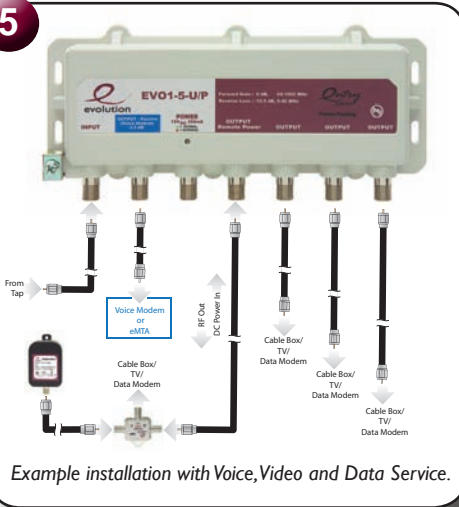


*Note: Always follow your company's installation policies as they have precedence over the recommended installation procedures in this manual.*

# Entry Series INSTALLATION GUIDE

Powering with optional EVOI-PI  
EVO-PSI5400 with power inserter

5



## TROUBLESHOOTING

1. Verify proper voltage to input of EVOI-5-x/x.

- If YES, proceed to step 2.
- If NO, replace the power supply and repeat step 1.
- If the power supply was replaced and the voltage is not correct, replace the cable between the power supply and the EVOI-5-x/x.

2. Determine if the four OUTPUT ports are providing RF signals at the proper levels.

- If YES, then the LED is likely bad.
- If NO, then the amplifier is damaged and must be replaced.

# CATV Installation

## MADE EASY!



## EVOI-5-x/x Entry Series Installation Guide

### DENVER

7347 S. Revere Parkway, Bldg A  
Centennial, Colorado 80112  
800.315.2253 • 303.414.1921 fax

### TORONTO

121 Granton Drive, Unit 21  
Richmond Hill, Ontario L4B 3N4  
905.482.3652 • 905.482.3654 fax

[www.evolutionbb.com](http://www.evolutionbb.com)

